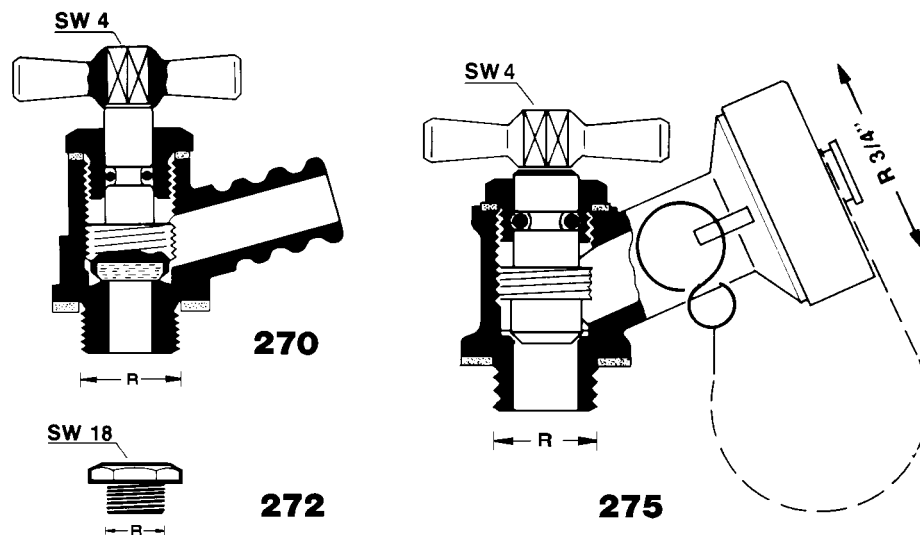


HERZ Draining Fittings

Standard Sheet for

270-275

Edition 0900 (0999)



- 1 **0270 09** **1/4"** Drain cock with handle
- 1 **0270 00** **3/8"**
- 1 **0272 09** **1/4"** Screw plug
- 1 **0272 00** **3/8"**
- 1 **0275 09** **1/4"** Drain cock por hose connection
- 1 **0275 00** **3/8"**

All fittings are supplied in brass.

Models

The following HERZ Pipe fittings are available with bores for the connection of draining fittings:

Valve Article No.	Dimension	Bores		Screw plugs 272 installed
		Number	Dimension	
4117 M	1/2"-3/4"	1	1/4"	1
	1"-2"	2	1/4"	2
	2 1/2"-3"	2	3/8"	2
4117 R	1/2"-2"	2	1/4"	2
4217 GM, 4217 GR	2 1/2"-3"	2	3/8"	2
4115 A	1/2"-2"	2	1/4"	1
4125 AD, 4215 AG	2 1/2"-3"	2	3/8"	1
4112 A	3/4"-2"	2	1/4"	1
	2 1/2"-3"	2	3/8"	1

Further draining fittings have to be ordered separately.

Field of Application



The hose connection 1 **6206 01** can be connected to the drain cock Art. No. 275. The hose connection has to be ordered separately.

Hose Connection

Up to valve dimension 2" – Bore thread 1/4"
From valve dimension 2 1/2" – Bore thread 3/8"

Bore thread

Max. operating temperature 110 °C
Max. operating pressure 10 bar
Hot water quality conforming to ÖNORM H 5195 and/or VDI guideline 2035.

Operating Data

Spindle Seal

An O-Ring is used as a spindle seal, ensuring minimum maintenance requirements and long term ease of valve operation up to the specified temperature limit.

Fitting

For easy fitting 2 flattened areas for a 16 mm key are provided on the housing.

Special Design Features

We reserve the right to make modifications necessitated by technological progress.

HERZ Armaturen

Richard-Strauss-Straße 22 • A-1230 Wien

