

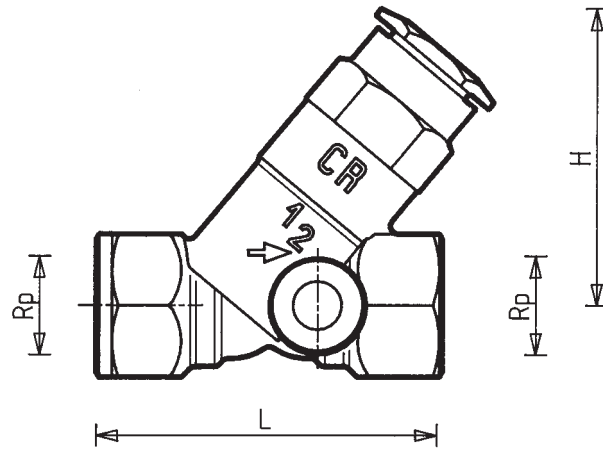
HERZ-ZTB

Circulation Thermostat

Standard Sheet for

4010

Edition 0200 (0799)



Dimensions in mm

Dim.	L (mm)	H (mm)
Rp 1/2"	65	58
Rp 3/4"	75	60

HERZ circulation thermostats, inclined models in brass, body of deplating-resistant special brass, water-bearing components of deplating-resistant brass, springs and guide elements of stainless chrome nickel steel. Plastic cone (POM), EPDM O-rings of physiologically harmless material, socket thread according to ISO 7/1 (Rp).

- 2 **4010 01** Dimension 1/2", socket x socket, additional compression cone for 15 mm copper pipes. HERZ compression union to be ordered separately.
- 2 **4010 02** Dimension 3/4", socket x socket.

Design / Models

The HERZ circulation thermostat is a thermostatic flow control valve for circulation pipe systems for water for industrial use with a circulation pump in the form of a proportional controller which does not require any power feed. The temperature in the circulation pipe is controlled and where several branches are involved, distribution of the hot water is ensured automatically.

The quantity of water circulating is limited to the quantity required for keeping the temperature constant, and circulation losses are minimised.

Application

The valve seat inside the body is opened or closed by the valve cone. When the temperature rises the cone is slowly and continuously moved in the closing direction by the thermostatic element without any shocks, and when the temperature falls it is opened by an opening spring acting against the thermostatic element. The expansion medium inside the thermostatic element translates the change of temperature into a change of path.

The control insert including the thermostatic element and cone can be changed without removing the body.

Functioning

During installation take into account the flow direction (arrow at the body).

Installation

The system has been designed for a temperature of 48 °C and is excess temperature-proof up to 90 °C. This value is preset by the manufacturer and leaded.

Maximum operating pressure: 10 bar

When using HERZ compression unions for copper and steel pipes take into account the permissible temperature and pressure ratings according to EN 1254-2: 1998, as shown in table 5.

Operating Data

HERZ Compression Unions

- 1 **6292 01** HERZ compression union for outside pipe diameter 15 mm

HERZ compression unions provide absolutely tight and secure connection to copper and thin-walled steel pipes. It is recommended to use support sleeves. For flawless installation lubricate the male thread of the locking nut and the olive with silicone oil. During installation take into account the instructions for installation provided by HERZ.

HERZ Compression Unions

- 2 **4010 61** Control insert, including thermostatic element and cone, valve dimension 1/2"
- 2 **4010 62** as above, valve dimension 3/4"

Spare Parts

We reserve the right to make modifications necessitated by technological progress.

HERZ Armaturen

Richard-Strauss-Straße 22 • A-1230 Wien

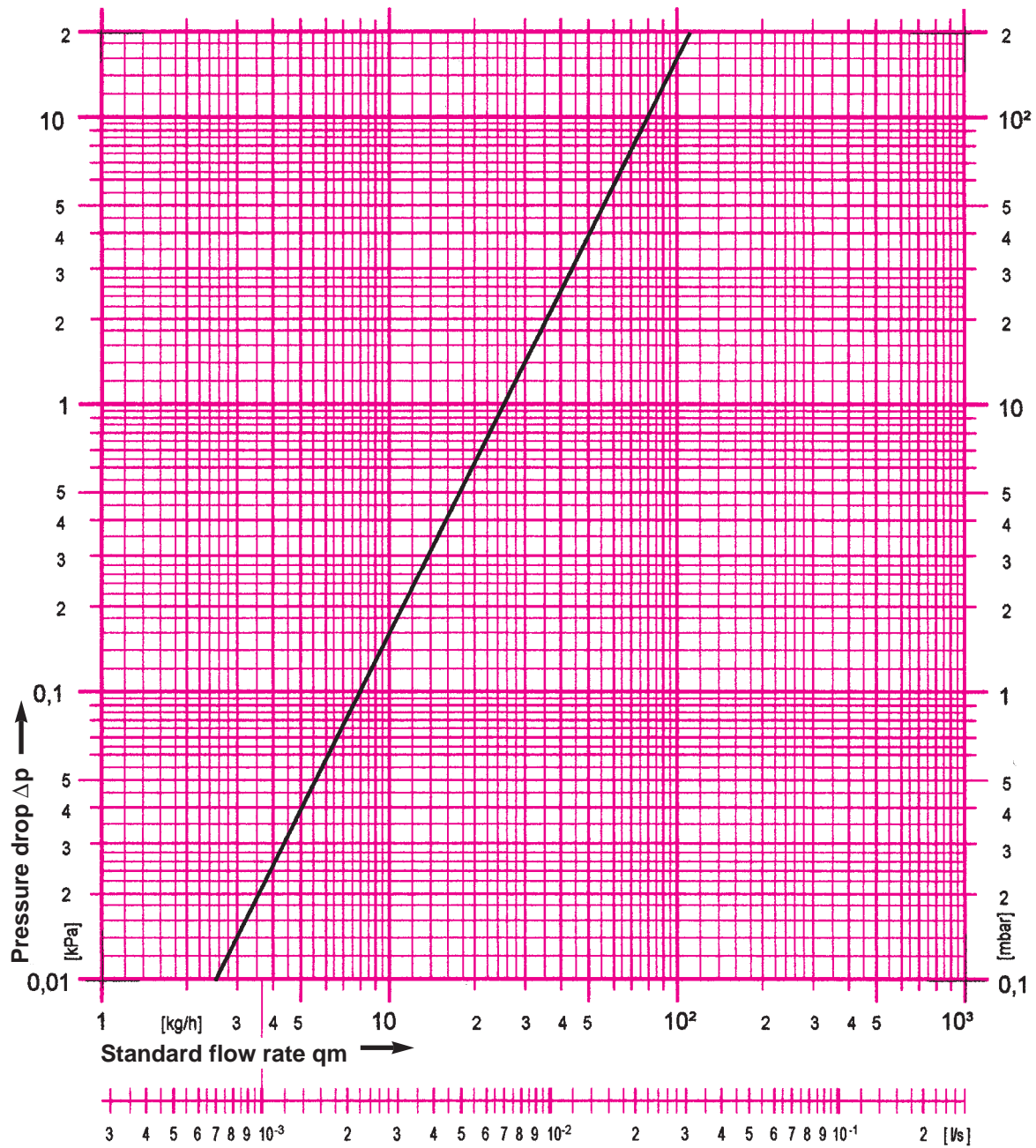


HERZ Standard Diagram

HERZ-ZTB

Art. No. 2 **4010** 01 • 2 **4010** 02

Dim. Rp = 1/2" • Rp 3/4"



Subject to change without notice

HERZ Armaturen

Richard-Strauss-Straße 22 • A-1230 Wien

