

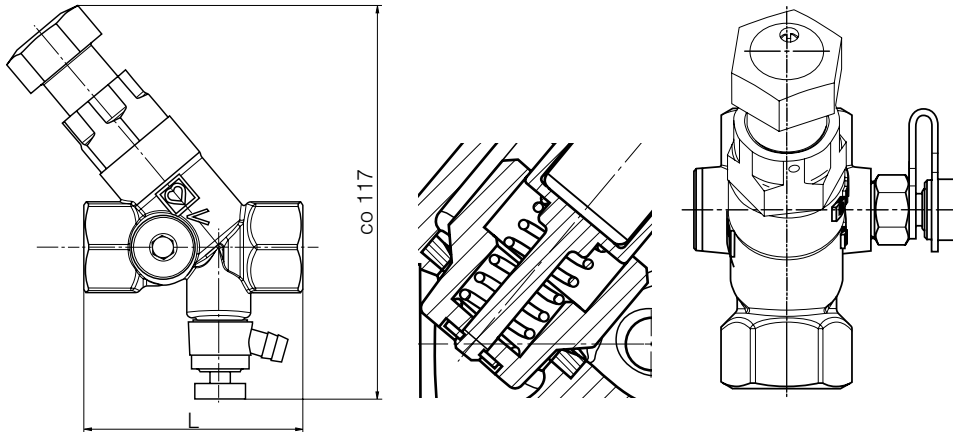
HERZ-CTC for district heating plants

Circulation temperature controller

Data sheet sheet for

4010

Version 0804



Dimension in mm

Dim.	L (mm)	H (mm)
DN 15 (Rp 1/2)	65	117
DN 20 (Rp 3/4)	75	117

HERZ-Circulation Temperature Controller for district heating plants, inclined model, dezincification resistant brass body can be shut off and emptied, with quick-measuring valve for recording pressure for adjustment as required, clean bore with safety cap, casing made of non-galvanised special brass, waterr-bearing parts made of non-galvanised brass. Cone, valve seat, shut-off spindle, springs and waterr-bearing parts made of corrosion-proof chrome-nickel steel. O-rings, EPDM, made of harmless material. Socket thread according to ISO 7/1 (Rp).

2 **4010 51** Dimension DN 15 (1/2), socket x socket, additional clamping cone for 15 mm copper pipe, 14 x 2.0 and 16 x 2.0 plastic pipe, HERZ compression union to be ordered separately.

2 **4010 52** Dimension DN 15 (1/2), socket x socket, additional clamping cone for 18 mm copper pipe, HERZ compression union to be ordered separately

Models

The Herz circulation temperature limiter is a thermostatic flow control valve for drinking waterr with circulating pump, in the form of a proportional control without additional fuel. The average temperature of the circulation pipe is controlled and automatically supplied for distributing hot water to several circuits.

The amount of waterr circulating is limited to the amount required to maintain a constant temperature and the loss from circulation is minimised.

Applications

The valve seat in the casing is opened or closed by the valve cone. The cone is closed slowly and consistently with the rising temperature by the thermostat element, without pressure variations, and for falling temperatures it is opened via an opening spring against the thermostat element. The extension device inside the thermostat element changes the temperature by changing direction.

The shut-off can be moved using a screwdriver, tip width 4mm, with approximately 11 turns.

Depending on the design, there is a seepage amount of about 0.5 l / min at around 4.5 bar differential pressure to be taken into account, when the valve is shut off.

The controls can be changed, including the thermostat element and valve, without removing the casing.

Operation

At installation the flow direction (arrow on the casing) must be respected

Installation

The system is set at 52 °C with excess temperature protection up to 90 °C. This setting is factory set and plumbed.

Maximum operating pressure 10 bar

When using the HERZ compression union for copper and steel pipes, the permissible temperature and pressure information according to EN 154-2;1998 should be followed.

1 **6292 01** HERZ compression union for pipe outer diameter 15 mm.

1 **6092 02** HERZ compression union for pipe outer diameter 14 x 2.0 mm.

1 **6092 01** HERZ compression union for pipe outer diameter 16 x 2.0 mm.

1 **6292 02** HERZ compression union for pipe outer diameter 18 mm.

HERZcompression unions form an absolutely tight and secure connection to copper and thin-walled steel pipes. The use of support sleeves is recommended. For perfect installation the threads of clamping ring screws as well as the clamping screws themselves should be oiled using silicone oil. The HERZ installation instructions should be followed when installing.

Operation

Herz compression union

We reserve the right to make modifications in line with progress in engineering

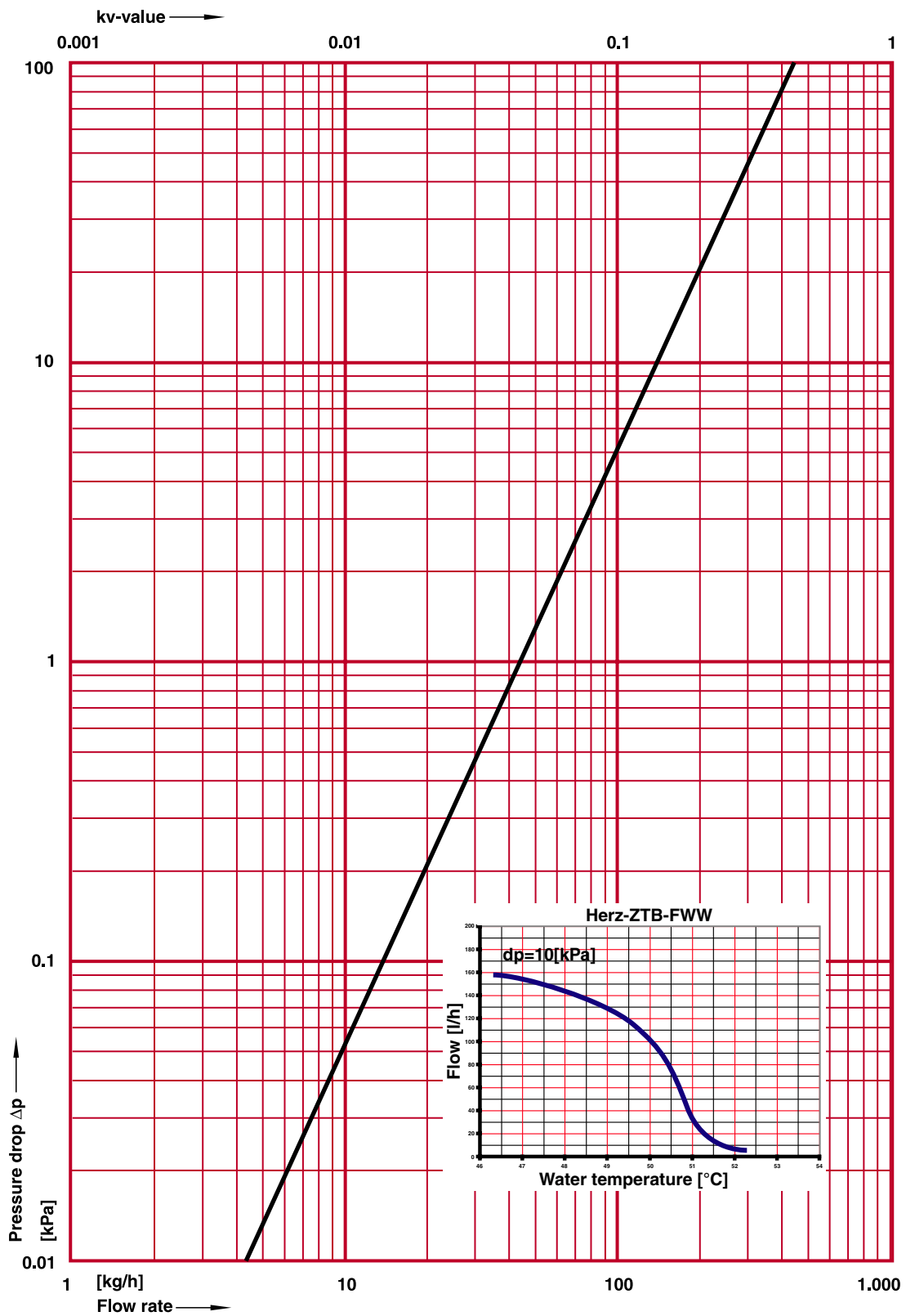
HERZ Armaturen

Richard-Strauss-Straße 22 • A-1230 Wien

e-mail: office@herz-armaturen.com • www.herz-armaturen.com

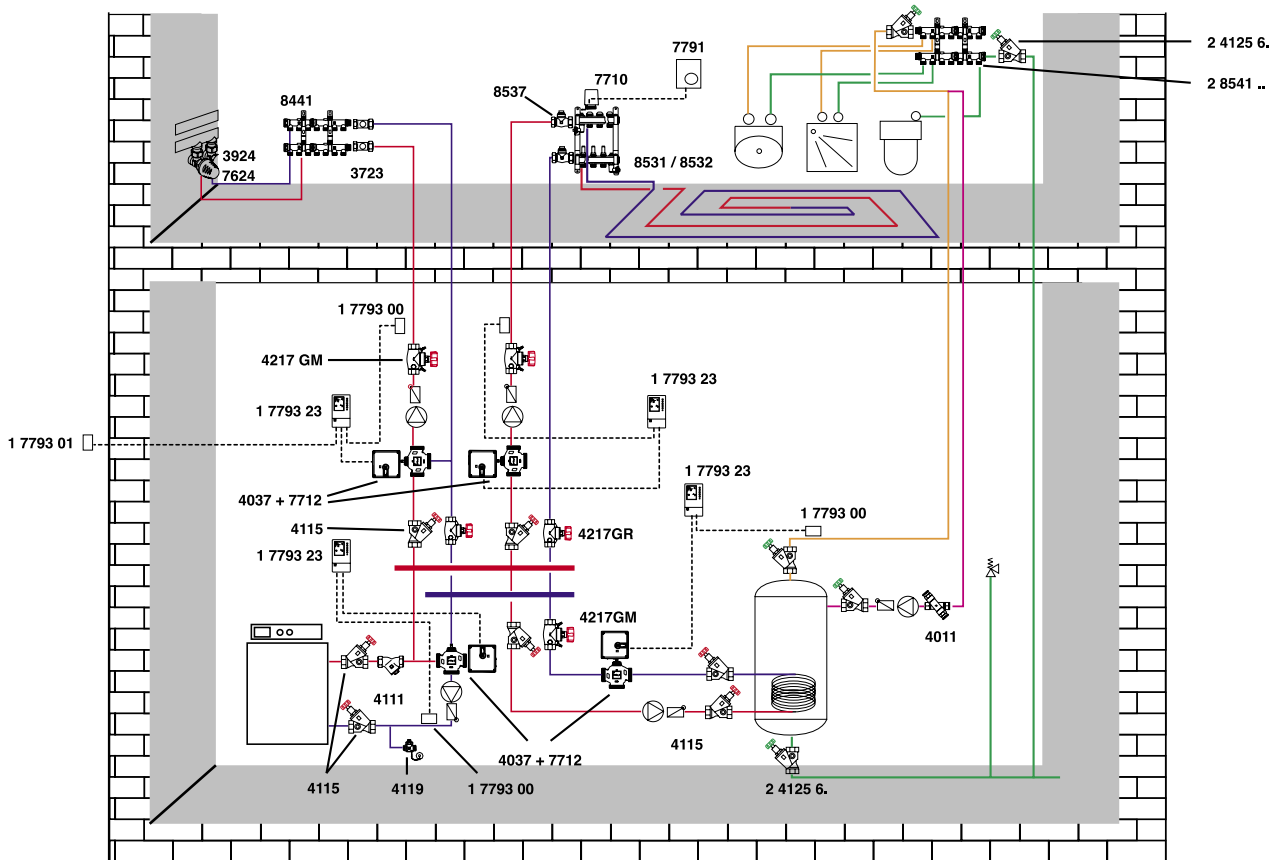


<p>1 6266 01 Adapter 1 6266 20</p>	<p>Fitting accessories</p>
<p>1 6220 XX Iron pipe connection, flat seal</p>	
<p>P 192X XX Coupling piece with external thread</p>	
<p>P 70XX 11 Press crossover with external thread P 70XX 12</p>	
<p>P 70XX 61 Press screw with external thread, flat seal P 70XX 62</p>	
<p>2 4010 81 Control including thermostatic element and cone, valve dimension 1/2 2 4010 82 ditto, valve dimension 3/4 1 0271 09 Emptying valve with handle, 1/4 1 0273 09 Safety cap screw, 1/4 1 0284 01 Quick-measuring valve for pressure recording</p>	<p>Replacement parts</p>
<p>2 4010 01 HERZ circulation temperature limiter without shut-off, DN 15, 48 °C pre-set 2 4010 02 HERZ-circulation temperature limiter without shut-off, DN 20, 48 °C pre-set 2 4010 11 HERZ-circulation temperature limiter without shut-off, DN 15, 43 °C pre-set 2 4010 12 HERZ-circulation temperature limiter without shut-off, DN 20, 43 °C pre-set 2 4011 01 HERZ-circulation temperature limiter with automatic opening for thermal disinfection against legionella, DN 15, 50 °C und 70 °C pre-set 2 4011 02 HERZ-circulation temperature limiter with automatic opening for thermal disinfection against legionella, DN 20, 50 °C und 70 °C pre-set</p>	<p>Other Herz circulation temperature limiters, see standard specification A 51sheet</p>

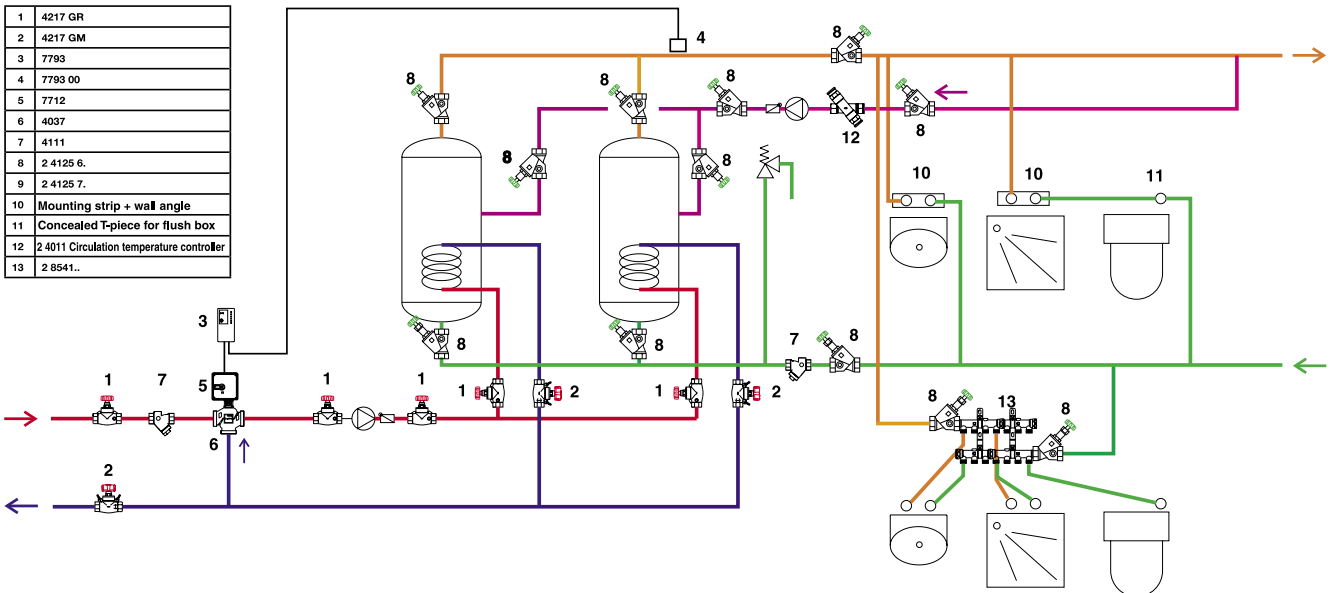


We reserve the right to make modifications in line with progress in engineering

Boiler house



1	4217 GR
2	4217 GM
3	7793
4	7793 00
5	7712
6	4037
7	4111
8	2 4125 6.
9	2 4125 7.
10	Mounting strip + wall angle
11	Concealed T-piece for flush box
12	2 4011 Circulation temperature controller
13	2 8541..



All specifications and statements within this brochure are according to information available at the time of printing and meant for informational purpose only. Herz Armaturen reserves the right to modify and change products as well as its technical specifications and/or its functioning according to technological progress and requirements. It is understood that all images of Herz products are symbolic representations and therefore may visually differ from the actual product. Colours may differ due to printing technology used. In case of any further questions don't hesitate to contact your closest HERZ Branch-office.