

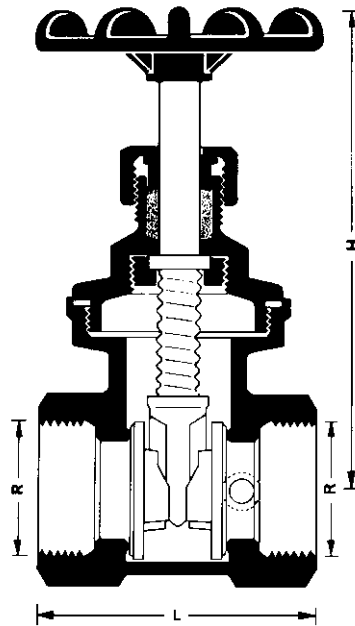
DOUBLE DISK WATER LOCKS

Double Disc Water Locks with Draining Facility

Data Sheet for

4112

Edition 0900 (0999)



4112

Art. No.	Model	R Connection	L	H	Order Nos.		Dimensions in mm Order Numbers
					4112	4112 A	
4112	socket / socket	1/2"	52	85	1 4112 01	—	
		3/4"	59	95	1 4112 02	1 4112 12	
		1"	68	107	1 4112 03	1 4112 13	
		1 1/4"	70	126	1 4112 04	1 4112 14	
		1 1/2"	75	138	1 4112 05	1 4112 15	
		2"	80	166	1 4112 06	1 4112 16	
		2 1/2"	103	207	1 4112 07	1 4112 17	
		3"	112	213	1 4112 08	1 4112 18	

4112 1/2"—3" double disc water lock without draining facility, brass.
4112 A 3/4"—3" double disc water lock with 2 tap holes, brass.
 1 screw plug 272 fitted.

Models

Valves 1/2"—2": Pipe thread 1/4"; Valves 2 1/2"—3": Pipe thread 3/8".

Tap hole sizes

270 1/4"—3/8" Drain cock with handle
272 1/4"—3/8" Screw plug
275 1/4"—3/8" Drain cock with hose connection

Draining Fittings must be ordered separately

Max. operating temperature **110 °C**
 Max. operating pressure **10 bar**
 Hot water quality conforming to ÖNORM H 5195 and/or VDI guideline 2035.

Operating Data

Systems using cold, warm and hot water, heat transfer oil or heating oil and steam. If using other media please contact HERZ.

Field of Application

Sealing Faces

Sealing is achieved by pressing the discs without sliding. The finely machined sealing faces of the discs and housing guarantee a tight seal when using the specified flow media, even in case of dirt accumulation on the discs.

Stuffing Box

The seal packing space is large, due to the demands made on it. The special Teflon packing has long-term elasticity and guarantees a tight seal with excellent sliding characteristics. Even with strong pressing the spindle operates easily.

Special Design Features

We reserve the right to make modifications necessitated by technological progress.

HERZ Armaturen

Richard-Strauss-Straße 22 • A-1230 Wien
 e-mail: office@herz-armaturen.com • www.herz-armaturen.com

