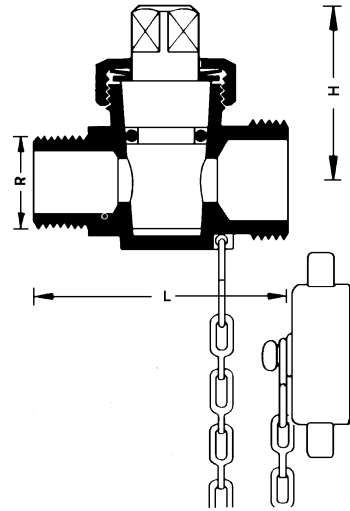


BOILER FILLING AND DRAINING COCKS

Standard Sheet for
4119
Edition 0900 (0999)



4119 3/8"-3/4"

Order Number	R Connection	SW	L	L ₁	H	Dimensions in mm
1 4119 00	3/8"	12	52	82	35	L ₁ = length including hose connection
1 4119 01	1/2"	12	54	84	38	
1 4119 02	3/4"	12	65	103	41	

Male thread

Connection thread

O-Ring and cup spring design, ensures no leakage problems at different temperatures.

Sealing elements

10 bar

Max. operating pressure

110 °C

Hot water quality in accordance with VDI recommendation 2035 and ÖNORM H 5195.

Max. operating temperature

Moves smoothly and precisely due to the friction disk which is installed below the cup spring.

Design features

1 6206 01 – 1/2" for tap dimension 3/8" + 1/2"

1 6206 02 – 3/4" for tap dimension 3/4"

Hose connection must be ordered separately.

**Hose connection
Art. No. 6206**

Installations with cold and warm water.

Field of Application

Boiler filling cocks, draining cocks and hose connections will be supplied in brass.

We reserve the right to make modifications necessitated by technological progress.

HERZ Armaturen

Richard-Strauss-Straße 22 • A-1230 Wien

