

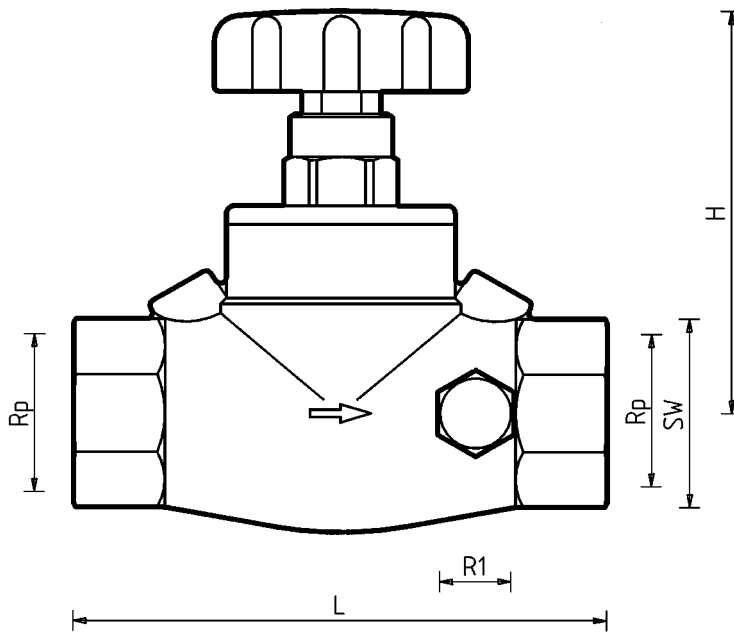
# STRÖMAX-G

## Shutoff Valve with Non-Rising Spindle

Standard Sheet for

**4215**

Edition 1000 (0999)



**4215**

**STRÖMAX-G**

Order numbers		Rp	L	H	R1	Hexagon Key mm	Octagon Key mm	Dimensions in mm Order Numbers
4215 G	4215 AG							
1 4215 01	1 4215 11	1/2"	100	97	1/4"	27	-	
1 4215 02	1 4215 12	3/4"	100	97	1/4"	32	-	
1 4215 03	1 4215 13	1"	120	107	1/4"	41	-	
1 4215 04	1 4215 14	1 1/4"	140	112	1/4"	-	50	
1 4215 05	1 4215 15	1 1/2"	150	112	1/4"	-	55	
1 4215 06	1 4215 16	2"	165	136	1/4"	-	70	
1 4215 07	1 4215 17	2 1/2"	190	138	3/8"	-	85	
1 4215 08	1 4215 18	3"	210	142	3/8"	-	100	

**4215 G** **STRÖMAX-G-Shutoff Valve, 1/2"-3"**  
Screw-down model, brass version, socket x socket, with long threaded sockets, non-rising spindle, spindle seal by means of double-O-ring.

**Models**  
**STRÖMAX-G**

**4215 AG** **STRÖMAX-AG-Shutoff Valve with Draining Facility, 1/2"-3"**  
Screw-down model, brass version, socket x socket, with long threaded sockets, non-rising spindle, spindle seal by means of double-O-ring.  
2 bore holes for draining fittings, 1 screw plug (272) installed.

**STRÖMAX-AG**

**4125 D** 1/2"-3" STRÖMAX-D shut-off valves with non-rising spindle, inclined models.  
**4125 AD** 1/2"-3" as above, but with two bore holes for draining fittings.  
**4115** 3/8"-3" STRÖMAX shut-off valves, spindle seal with stuffing box, inclined models.  
**4115 A** 1/2"-3" as above, but with two bore holes for draining fittings.

**Other Shutoff Valves**

We reserve the right to make modifications necessitated by technological progress.

HERZ Armaturen

Richard-Strauss-Straße 22 • A-1230 Wien



Valve 1/2"-2": Pipe thread R 1/4"  
 Valve 2 1/2"-3": Pipe thread R 3/8"

**Bore Sizes**

**270**      **1/4"-3/8"**      Drain cock with handle  
**272**      **1/4"-3/8"**      Screw plug, installed  
**275**      **1/4"-3/8"**      Drain cock for hose connection  
 Draining fittings are to be ordered separately.

**Draining Fittings**

Reliable shutting off of pipes in heating and cooling systems.

**Field of Application**

Maximum operating temperature      110 °C  
 Maximum operating pressure          10 bar

Hot water purity in accordance with Austrian standard ÖNORM H 5195 and/or VDI-guideline 2035.

**Operating Data**

When using HERZ compression unions for copper and steel pipes, observe the permissible temperatures and pressures as specified in EN 1254-2:1998 Table 5. A maximum operating temperature of 80 °C and maximum operating pressure of 4 bar applies for plastic pipe connections, if permitted by the pipe manufacturer.

**HERZ Compression Union**

The sockets for the shutoff valves R = 1/2" and R = 3/4" are suitable for connecting either threaded pipes or calibrated soft-steel or copper pipes, the latter two by means of adapters and compression unions. Compression unions and adapters must be ordered separately.

**Pipe Connection by Means of Compression Union**

Pipe Ø D mm	10	12	14	15	16	18	18
Valve R =	1/2"						3/4"
Adapter Order No.	1 6272 01	1 6272 01	1 6272 01	1 6272 01	1 6272 01	1 6272 11	1 6272 12
Compr. Union Order No.	1 6284 00	1 6284 01	1 6284 03	1 6284 04	1 6284 05	1 6289 01	1 6289 01

For the installation of soft-steel or copper pipes with compression unions, we recommend the use of support sleeves. For perfect installation lubricate the thread of the locking nut (male or female thread) as well as the olive with silicone oil. Please consult our instructions for installation.

The shutoff valves R = 1/2" are suitable for systems with plastic pipes. Adapters and plastic pipe unions are connected to the sockets. For models and dimensions consult the HERZ catalogue.

**Plastic Pipe Connection**

**Flow Direction**

During installation, take into account the flow direction arrow on the valve body.

**Special Design Features**

**Installation Position**

The non-rising valve spindle arranged perpendicular to the valve axis guarantees optimum accessibility and optimum valve operation in any installation position.

**Spindle Seal**

Spindle sealing is achieved by means of an elastic double-O-ring. It has been approved for a maximum operating temperature of 150 °C.

**Double-O-Ring**

The maintenance-free double-O-ring seal guarantees permanent and secure sealing of the valve spindle, as well as ease of valve operation.

**Seat Seal**

The temperature-resistant and permanently elastic soft seal is corrosion-resistant, permits operation with a low shutting force, and has been approved for a maximum operating temperature of 150 °C.

Characteristic	STRÖMAX-G	Dimension	v-Value	Zeta-value according to DIN 2440	kv-values Zeta-values  2 1/2", 3" in preparation
1	1 <b>4215</b> 01/11	1/2"	6.56	2.51	
2	1 <b>4215</b> 02/12	3/4"	6.56	8.32	
3	1 <b>4215</b> 03/13	1"	12	6.16	
4	1 <b>4215</b> 04/14	1 1/4"	22.1	5.59	
5	1 <b>4215</b> 05/15	1 1/2"	28.8	6.1	
6	1 <b>4215</b> 06/16	2"	40	8.11	
7	1 <b>4215</b> 07/17	2 1/2"	53.4	12.9	
8	1 <b>4215</b> 08/18	3"	77.3	3.3	

STRÖMAX-G and STRÖMAX-AG shutoff valves are identical in dimensions to the STRÖMAX-GM and STRÖMAX-GR circuit regulating valves.

#### Dimensions

The use of thermal insulation shells is recommended for insulation and the avoidance of heat loss.

These consist of two interlocking half shells and the spindle cover. The parts are closed by overlapping and held together by means of tightening straps. The thermal insulation shells can be removed and reused at any time.

Thermal insulation shells can be used up to a maximum operating temperature of 120 °C.

For models, dimensions and order numbers please refer to the HERZ catalogue.

#### Thermal Insulation Shells Art. No. 4096

1 **4096** Thermal insulation shells  
For order numbers please refer to the HERZ catalogue

#### Accessories

1 **6387** STRÖMAX-G upper part  
For order numbers please refer to the HERZ catalogue

1 **6517** 00 Hand wheel

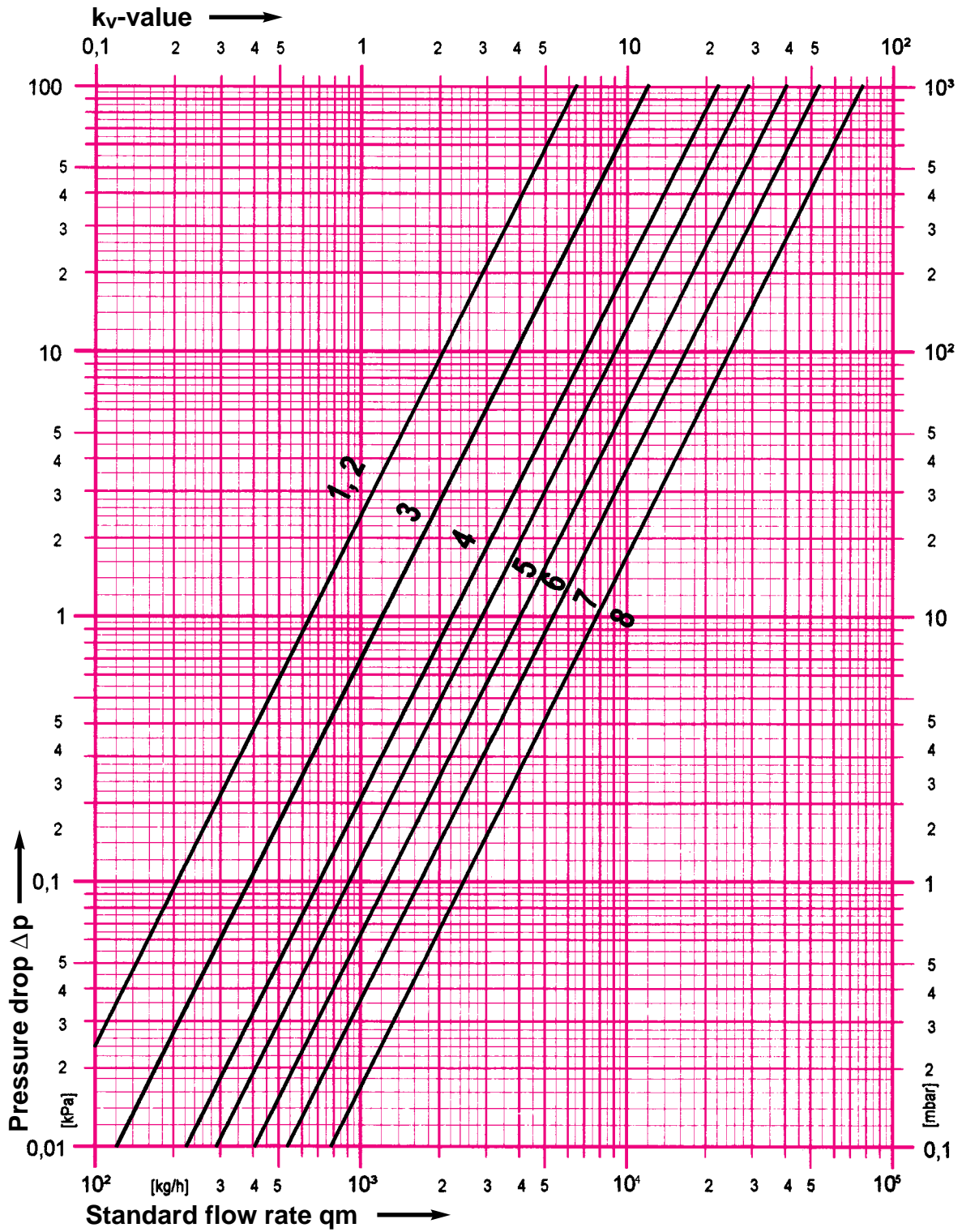
#### Spare Parts

HERZ-Standard Diagram

STRÖMAX-G

Art. No. 4215

Dim. Rp 1/2" – Rp 3"



We reserve the right to make modifications.

HERZ Armaturen

Richard-Strauss-Straße 22 • A-1230 Wien

