

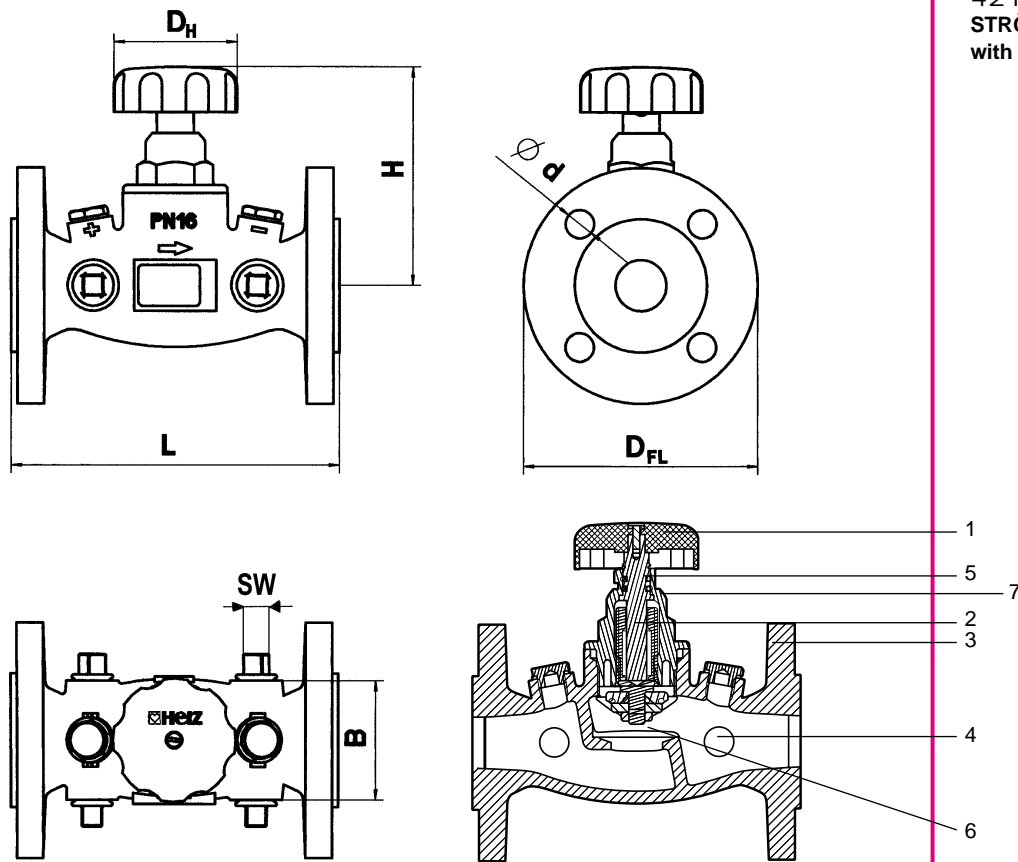
# Circuit shutoff valve STRÖMAX-AGF

STRÖMAX-AGF cast iron shutoff valve in flange version

Data sheet for

4218 AGF

Edition 0803 (0803)



4218 AGF  
STRÖMAX-AGF  
with draining option

- 1 Hand wheel
- 2 Valve spindle
- 3 Valve body, cast iron GJL 250
- 4 Plug 3/8 for draining option
- 5 Spindle seal
- 6 Valve seat
- 7 Valve upper part

Article numbers 4218 AGF	DN	L	H	W	D <sub>H</sub>	D <sub>FL</sub>	D	d	Hex Square
1 4218 53	25	160	110	58	70	115	25	14	10
1 4218 54	32	180	110	64	70	140	30	19	10
1 4218 55	40	200	110	72	70	150	40	19	10
1 4218 56	50	230	135	90	95	165	50	19	10
1 4218 57	65	290	145	112	95	185	65	19	10
1 4218 58	80	310	145	116	95	200	80	19	10

Dimensions in mm  
Article numbers

## 4218 AGF STRÖMAX-AGF shutoff valve with draining option DN 25 - 80

Screw-down model, body made of cast iron GJL 250, according to EN 1561, flange according to EN 1092, PN 16, blue coated. Brass upper part, screwed, with non-rising spindle, spindle seal by means of double O-Ring.

Four bores for draining fittings, closed with screw plugs 3/8.

Model  
4218 AGF

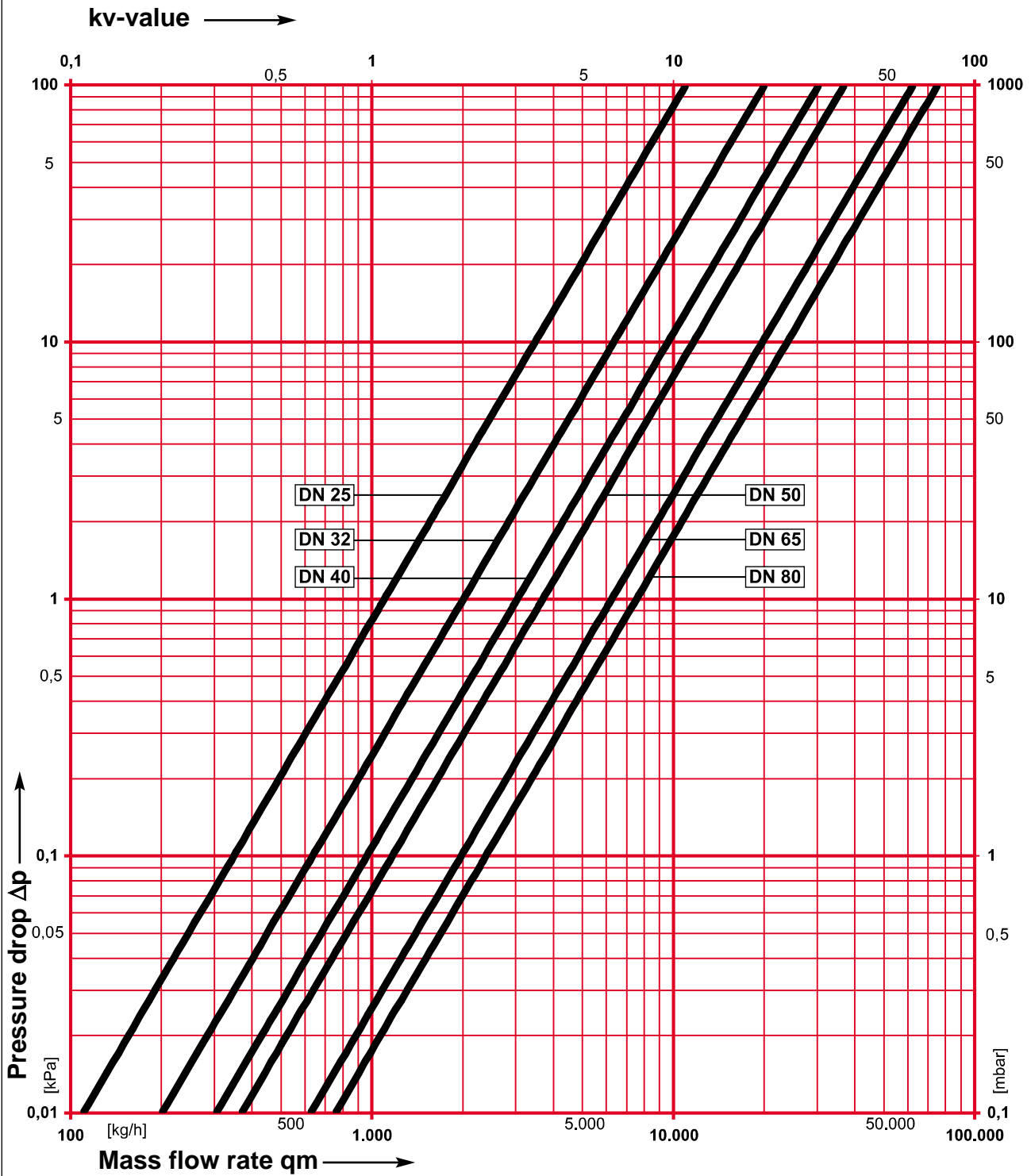
We reserve the right to make modifications in line with advances in engineering.

HERZ Armaturen

Richard-Strauss-Straße 22 • A-1230 Wien  
e-mail: office@herz-armaturen.com • www.herz-armaturen.com



<b>4218 GMF</b> DN 25 - 80	STRÖMAX-GMF circuit regulating valves in flanged version, with measuring valves, 4 bores for draining option	<b>Other models</b>
<b>4007 F</b> DN 25 - 50	differential pressure control, flange version, 50 to 300 mbar, 4 bores for draining option	
<b>4217 GM</b> DN 15 - 80 female screwed <b>4417 GM</b> DN 15 - 50 external thread	STRÖMAX-GM circuit regulating valve with measuring valves - screw-down model	
<b>4217 GR</b> DN 15 - 80	STRÖMAX-GR circuit regulating valve without measuring valve, screw-down model, female screwed x female screwed	
<b>4215 G</b> DN 15 - 80 female screwed <b>4415 G</b> DN 15 - 50 external thread	STRÖMAX-G shutoff fitting, screw-down model	
<b>4215 AG</b> DN 15 - 80 female screwed <b>4415 AG</b> DN 15 - 50 external thread	STRÖMAX-GM shutoff valve, screw-down model, with 2 bores for draining option	
<b>4007</b> DN 15 - 50 female screwed <b>4207</b> DN 15 - 50 external thread	differential pressure control, 50 to 500 mbar, 2 bores for draining option	
Pipe thread 3/8 (DN10)		<b>Bore size</b>
1 <b>0276 00</b> draining valve with handle and swivelling hose connection, brass version, hose connection 1 <b>6206 01</b> must be ordered separately.		<b>Draining Fittings</b>
For isolation in heating or cooling installations, risers, heat exchangers, heating and cooling systems.		<b>Application</b>
Maximum operating temperature 110 °C Maximum operating pressure 16 ·bar Hot water quality according Austrian Standard ÖNORM H 5195 and/or VDI-Regulation 2035		<b>Operational data</b>
Valve body cast iron GJL 250 according to EN 1561 Valve upper part made of brass O-Rings EPDM		<b>Materials</b>
<p><b>Flow direction</b> Ensure that the flow direction is in accordance with the arrow shown on the valve body.</p> <p><b>Mounting position</b> The non-rising valve spindle is mounted vertically to the valve axis and consequently offers optimum accessibility and easy valve handling in every position.</p> <p><b>Spindle seal</b> The spindle seal is equipped with an elastic double O-Ring and is guaranteed to be impermeable and offer easy handling.</p> <p><b>Seat seal</b> The permanently elastic soft seal provides constant temperature. It is corrosion-resistant and allows minor closing pressure.</p>		<b>Constructional characteristics</b>
STRÖMAX-GMF, STRÖMAX-AGF and differential pressure control 4007 F valve bodies are identical, upper parts are identical to the appropriate female screwed and external thread models.		<b>Dimensions</b>
1 <b>0276 00</b> Draining valve 3/8 with handle and swivelling hose connection 1 <b>6206 01</b> Hose connection		<b>Accessories</b>
1 <b>0272 09</b> Screw plug 1/4 1 <b>0273 00</b> Screw plug 3/8 1 <b>6517 00</b> DN 25 - 80 STRÖMAX-AGF hand wheel 1 <b>6387 53</b> DN 25 STRÖMAX-AGF valve upper part, complete 1 <b>6387 54</b> DN 32 STRÖMAX-AGF valve upper part, complete 1 <b>6387 55</b> DN 40 STRÖMAX-AGF valve upper part, complete 1 <b>6387 56</b> DN 50 STRÖMAX-AGF valve upper part, complete 1 <b>6387 57</b> DN 65 STRÖMAX-AGF valve upper part, complete 1 <b>6387 58</b> DN 80 STRÖMAX-AGF valve upper part, complete		
Article numbers	DN	<b>kvs-values</b>
<b>4218 AGF</b>		
1 <b>4218 53</b>	25	11,0
1 <b>4218 54</b>	32	20,1
1 <b>4218 55</b>	40	30,4
1 <b>4218 56</b>	50	36,9
1 <b>4218 57</b>	65	62,5
1 <b>4218 58</b>	80	75,5



We reserve the right to make modifications.