

# Distributors for Floor Heating Systems

## Rod-type distributor, Dimension 1"

Standard Sheet for  
8531/8532  
Edition 0200 (0799)

- Rod-type distributor sets with shutoff- and thermostatic upper parts
- Rod-type distributor sets with thermostatic upper parts and top meter control inserts
- Single branch-off sets (extension sets)
- Shut-off valves, straight and angle models
- Compression unions for copper, steel, and plastic pipes.

### System Components

#### Rod-Type Distributor Sets with Shutoff- and Thermostatic Upper Parts

Intake distributors with shutoff upper parts, return distributors with thermostatic upper parts, intake and return distributors in brass, with staggered branch-offs, with bleeding and draining functions, intake and return distributors with one end cap each, 2 distributor holding devices for wall or cabinet mounting.

Distributor connection by 1" female thread, pipe connection G 3/4

Order Number	Branch-offs per Distributor	Order Number	Branch-offs per Distributor
1 <b>8531</b> 03	3	1 <b>8531</b> 10	10
1 <b>8531</b> 04	4	1 <b>8531</b> 11	11
1 <b>8531</b> 05	5	1 <b>8531</b> 12	12
1 <b>8531</b> 06	6	1 <b>8531</b> 13	13
1 <b>8531</b> 07	7	1 <b>8531</b> 14	14
1 <b>8531</b> 08	8	1 <b>8531</b> 15	15
1 <b>8531</b> 09	9	1 <b>8531</b> 16	16

### Rod-Type Distributors with Shutoff- and Thermostatic Upper Parts

Distributor sets from 13 branch-offs onward upon enquiry

#### Rod-Type Distributor Sets with Thermostatic Upper Parts and Top Meter Control Inserts

Intake distributors with thermostatic upper parts, return distributors with top meter control inserts, intake and return distributors in brass, with staggered branch-offs, with bleeding and draining functions, intake and return distributors with 1 end cap each, 2 distributor holding devices for wall or cabinet mounting.

Distributor connection by 1" female thread, pipe connection G 3/4

Order Number	Branch-offs per Distributor	Order Number	Branch-offs per Distributor
1 <b>8532</b> 03	3	1 <b>8532</b> 10	10
1 <b>8532</b> 04	4	1 <b>8532</b> 11	11
1 <b>8532</b> 05	5	1 <b>8532</b> 12	12
1 <b>8532</b> 06	6	1 <b>8532</b> 13	13
1 <b>8532</b> 07	7	1 <b>8532</b> 14	14
1 <b>8532</b> 08	8	1 <b>8532</b> 15	15
1 <b>8532</b> 09	9	1 <b>8532</b> 16	16

### Rod-Type Distributors with Thermostatic Upper Parts and Top Meter Control Inserts

Distributor sets from 13 branch-offs onward upon enquiry

To be used as an extension set or for branch-off towards above or below, distributors in brass with one branch-off per unit, including 2 couplings with 1" female thread, pipe connection G 3/4.

- 1 **8531** 93 **Single Branch-off Set with Shutoff and Thermostatic Upper Parts**  
Intake distributor with shutoff upper part, return distributor with thermostatic upper part.
- 1 **8532** 93 **Single Branch-off Set with Thermostatic Upper Part and Top Meter Regulating Insert**  
Intake distributor with thermostatic upper part, return distributor with top meter regulating insert.

### Single Branch-off Sets

- 1 **8537** 03 **1 Pair of Shut-off Valves, Straight Model**  
in brass, socket 1" female thread x short distributor connection, to be shut off by means of HERZ multi-purpose key 1 **6625** 00.
- 1 **8538** 03 **1 Pair of Shut-off Valves, Angle Model**  
in brass, staggered design thanks to distributor connections of different lengths, socket 1" female thread x short/long distributor connection, to be shut off by means of HERZ multi-purpose key 1 **6625** 00.

### Shut-off Valves

We reserve the right to make modifications necessitated by technological progress.

<p><b>6274</b> HERZ compression union for copper and thin-walled steel pipes.</p> <p><b>6275</b> HERZ compression union with soft seal for copper and thin-walled steel pipes, particularly suitable for hard high-grade steel pipes and pipes with hard electro-plated surfaces.</p> <p><b>6098</b> HERZ-compression union for PE-X, PB-, and plastic composite pipes.</p> <p>For dimensions and order numbers refer to the HERZ catalogue.</p>	<p><b>Pipe Connections</b></p>
<p>1 <b>6206 01</b> HERZ hose connection, brass, for draining and filling</p> <p>1 <b>6614 00</b> 5-mm presetting key for shutoff upper parts 1 <b>6413 01</b>.</p> <p>1 <b>6625 00</b> HERZ multi-purpose key for shutoff and bleeding valves.</p> <p>1 <b>8525 02</b> Plug for distributor pipe connection, in brass</p>	<p><b>Accessories</b></p>
<p>1 <b>6301 00</b> Upper part for shutoff valves 1 <b>8537 03</b>, 1 <b>8538 03</b>.</p> <p>1 <b>6403 31</b> Thermostatic upper part for distributors</p> <p>1 <b>6413 00</b> Top meter control insert for distributors (can be used only in return distributor rods designed for this purpose)</p> <p>1 <b>6413 01</b> Shutoff upper part for distributors</p>	<p><b>Spare Parts</b></p>
<p>HERZ rod-type distributors are suitable for the following operating conditions:</p> <p>Max. operating temperature 110 °C Max. operating pressure 10 bar</p> <p><math>\Delta p</math> for low-noise operation 0.2 bar.</p> <p>Rod-type distributor <b>8531</b>: can be used up to <math>\Delta p</math> 0.4 bar in either flow direction.</p> <p>Rod-type distributor <b>8532</b>: The top meter control insert must be installed in the return.</p> <p>The actually permissible operating data (max. temperature and pressure) are dependent on the pipes and/or compression unions used.</p> <p>Hot water purity according to ÖNORM H 5195 and/or VDI-guideline 2035.</p> <p>For plastic pipe connections, the following values are applicable if permitted by the pipe manufacturer:</p> <p>Max. operating temperature 80 °C Max. operating pressure 4 bar</p> <p>A higher operating pressure is permitted only with the previous written consent of HERZ Armaturen.</p> <p>When using HERZ compression unions for copper and steel pipes take into account the permissible temperature and pressure ratings according to EN 1254-2: 1998, as shown in table 5.</p>	<p><b>Operating Data</b></p> <p><b>Distributors</b></p> <p><b>Plastic Pipe Connections</b></p> <p><b>Compression Unions</b></p>
<p>HERZ rod-type distributors are used for the distribution of the individual heating circuits in floor heating systems. Each heating circuit can be controlled and shut off separately.</p>	<p><b>Field of Application</b></p>
<p>The distributors are mounted onto the wall or in a distributor cabinet on holding devices</p>	<p><b>Installation</b></p>
<p>The distributors are closed by a plug on one side.</p>	<p><b>End Caps</b></p>
<p>The distributor intake features a 1" female thread for direct connection of threaded pipes or shutoff valves.</p>	<p><b>Connection of Distributor Intake to Supply Pipe</b></p>
<p>The distributor branch-offs are equipped with G 3/4 male threads. Pipe connection is achieved by means of HERZ compression unions for copper, thin-walled steel or plastic pipes.</p>	<p><b>Distributor Branch-off Pipe Connection</b></p>
<p>HERZ compression unions provide absolutely tight and secure connection to copper, thin-walled steel and plastic pipes. During installation take into account the instructions for installation provided by HERZ.</p>	<p><b>Compression Unions</b></p>

**Shut-off Upper Parts**

The shut-off upper parts are operated by means of a 5-mm Allen key (1 6614 00). The intake is shut off by turning clockwise up to the stop.

**Thermostatic Upper Parts**

Set the thermostat to the "min" position or shut off by means of hand wheel or protective cap for building work.

**Top Meter Control Inserts**

Pull the cap upwards, shut the top meter by turning clockwise. Snap cap back into position.

**Shutting off the Heating Circuits**

Any HERZ thermostat with remote control, as well as the components of the electronic control systems HERZ-RTC (room temperature computers, DDC actuating drives) and HERZ RTR (room thermostats, thermal actuators) can be used for controlling the thermostatic upper parts.

The thermostatic upper parts are supplied with a protective cap for building work which serves for protection and actuating during the building phase (pipe flushing). If, in exceptional cases no thermostat is installed use the HERZ hand wheel for operation.

**Thermostatic Operation**

Top meter control inserts are always installed in the return. The flow rate can be set directly (l/sec scale).

For adjustment, pull the cap upwards, turn the top meter until the desired flow rate is achieved. Snap cap back into position.

**Top Meter**

**Setting**

Both, the intake and return distributors feature a draining valve with an R = 1/2" connection thread for a hose connection element (1 6206 01). The plug features a 5-mm square for actuating the draining valve.

**Draining**

Both, the intake and return distributors feature a bleeding valve which is actuated by means of the HERZ multi-purpose key 1 6625 00.

**Bleeding**

A separate standard sheet is available for HERZ distributor cabinets.

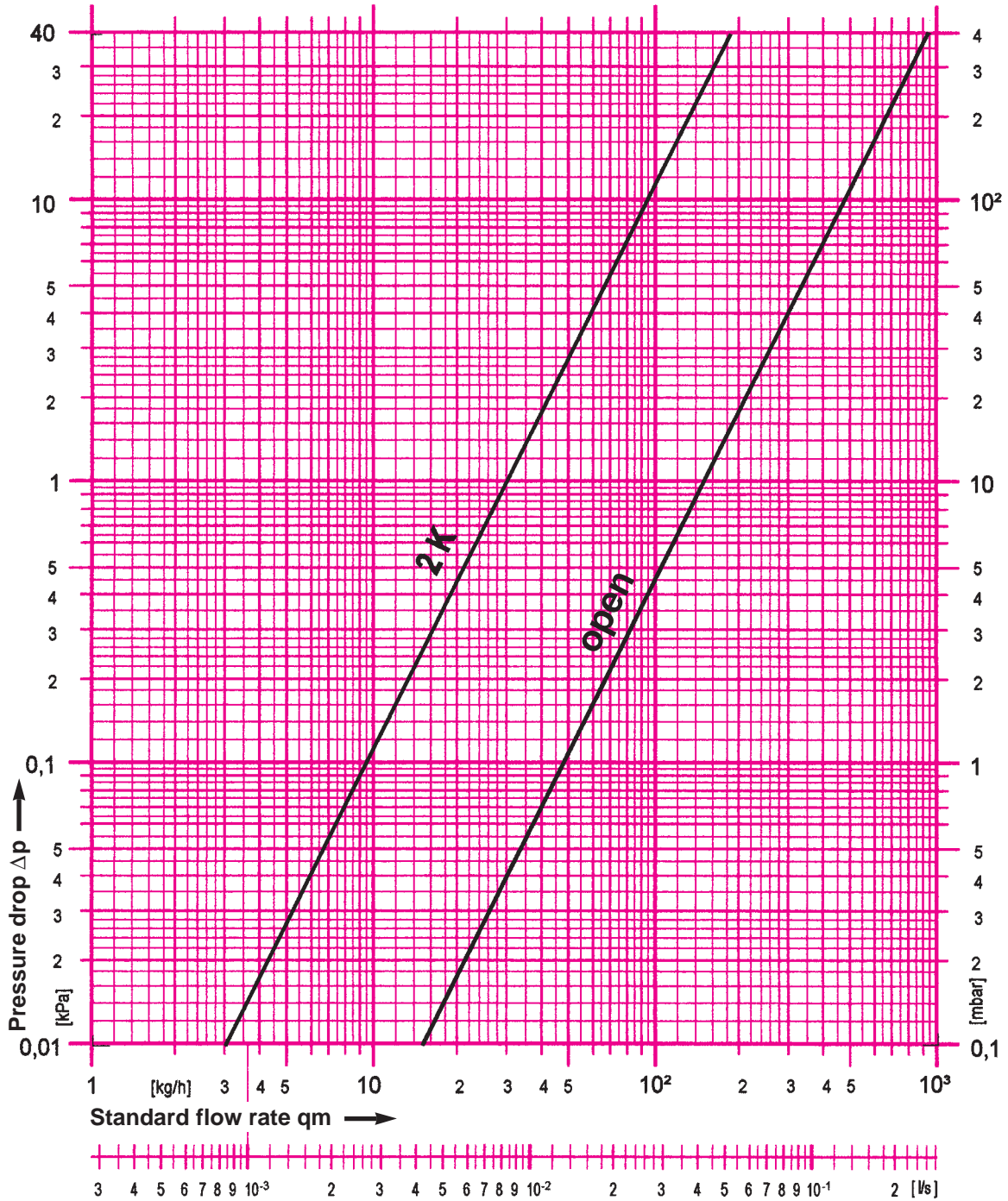
**Distributor Cabinets**

# HERZ Standard Diagram

Distributors for Floor Heating Systems

Art. No. **8531**

Intake and return distributors



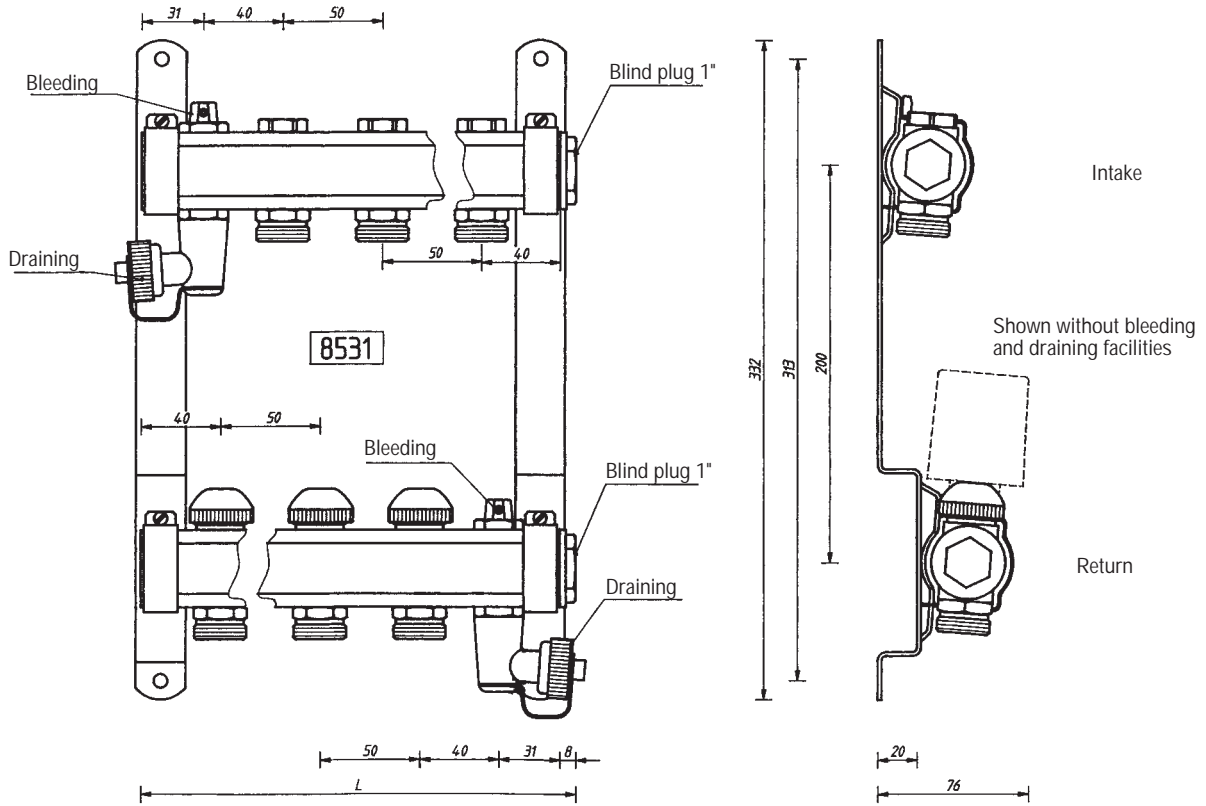
2 K	$K_v$ 0.3	e.g. for HERZ thermostats 7330, 9330, HERZ-ETK 8330
open	$K_v$ 1.5	e.g. for HERZ thermal actuator 7710

Subject to change without notice

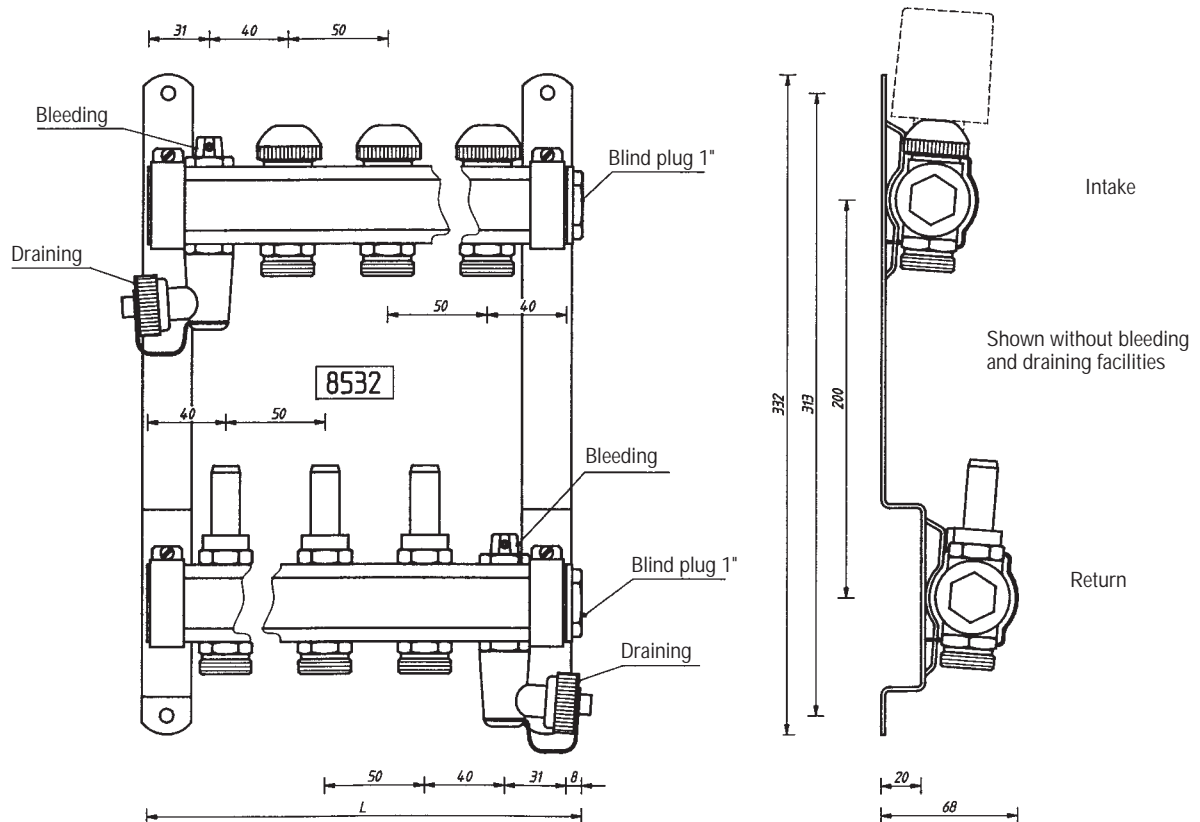
HERZ Armaturen

Richard-Strauss-Straße 22 • A-1230 Wien

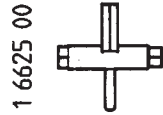




Distributor branch-offs	Length L	Distributor branch-offs	Length L
3	219	10	569
4	269	11	619
5	319	12	669
6	369	13	719
7	419	14	769
8	469	15	819
9	519	16	869



1 6614 00

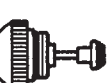


1 6625 00

1 6413 01



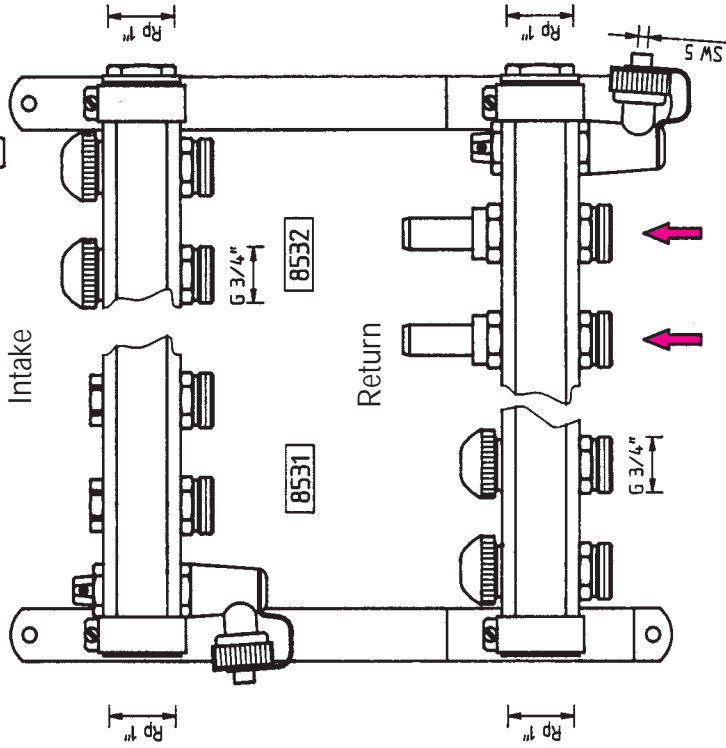
1 6403 31



1 6413 00



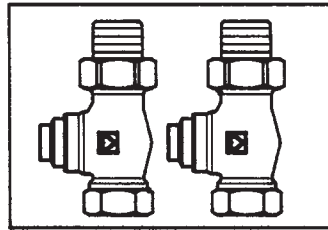
Spare upper parts



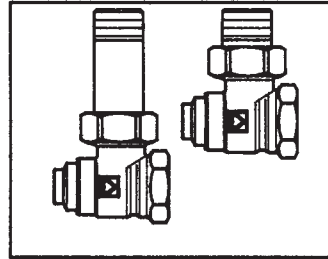
1 6625 00



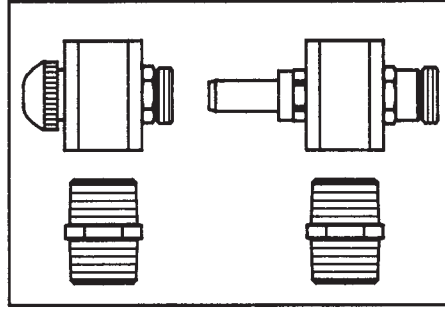
1 6301 00



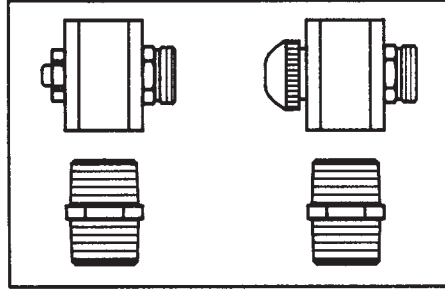
1 8537 03



1 8538 03



1 8532 93



1 8531 93



6206



Flow direction  
top meter



6098



6274



8525

